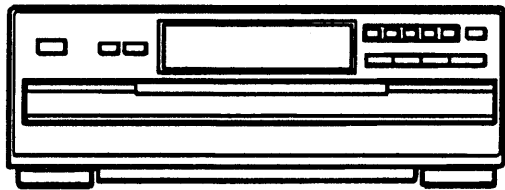


aiwa

DX-M90M



COMPACT DISC PLAYER

• BASIC CD MECHANISM : CD - 751

• TYPE. Y,YU,YK

[SUPPLEMENT]

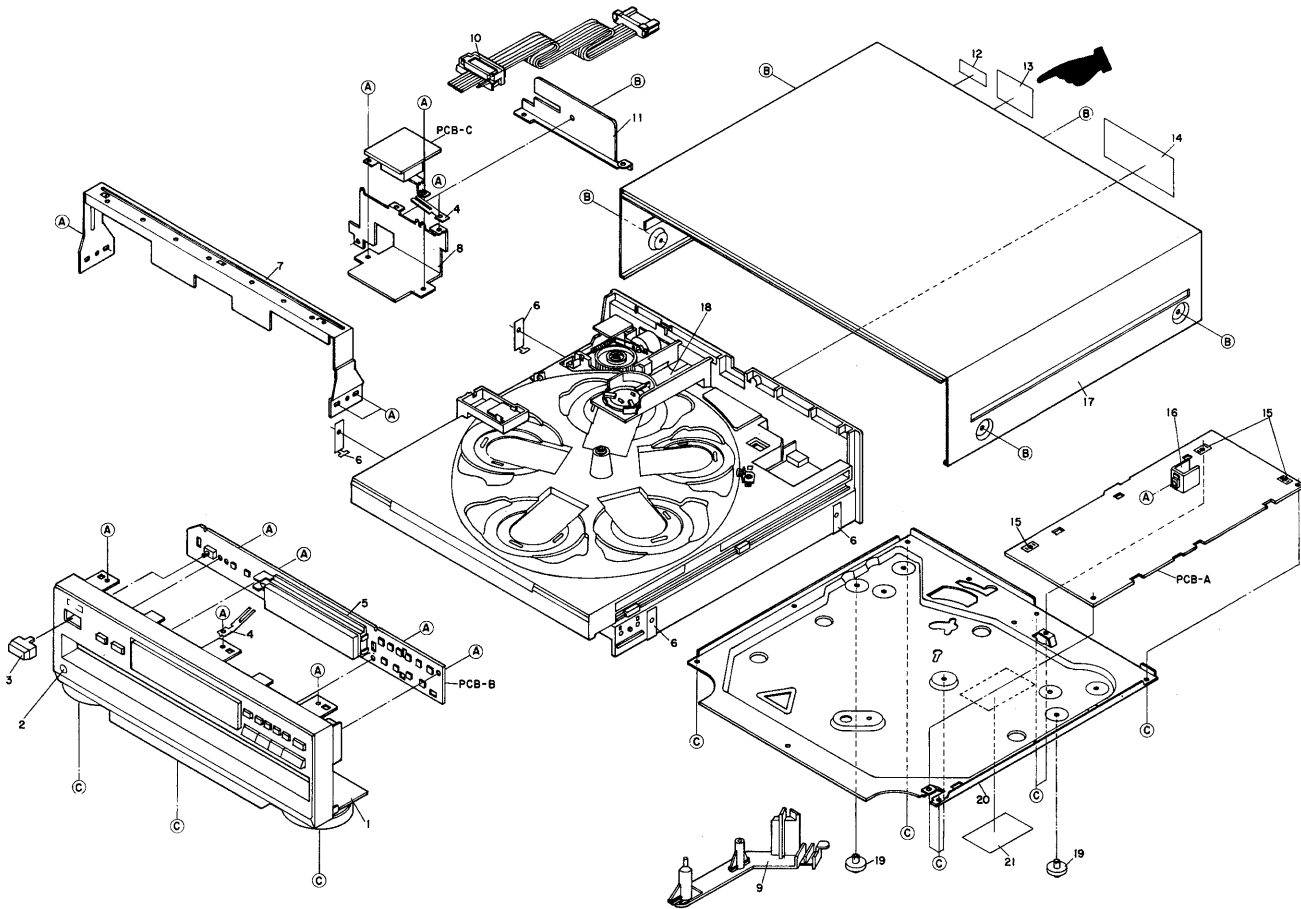
This manual describes design changes.

Read it in conjunction with the original manual
(S/M Code No.90 - 089).

ELECTRICAL ALTERLATION PARTS LIST

REF. NO.	PART NO.	DESCRIPTION
===IC===		
	87-001-866-010	IC, UPD6376CX
===TRANSISTOR===		
	SA-934-V00-000	TRANSISTOR, 2SA934V
	SC-206-0VQ-000	TRANSISTOR, 2SC2060V
===DIODE===		
	87-020-400-080	DIODE, 1SR35
===MAIN CIRCUIT BOARD SECTION===		
C301	★87-015-975-010	CAP, ELECT 220-6.3V
C303	★87-015-971-010	CAP, ELECT 47-6.3V
C304	★87-015-971-010	CAP, ELECT 47-6.3V

EXPLODED VIEW - 1



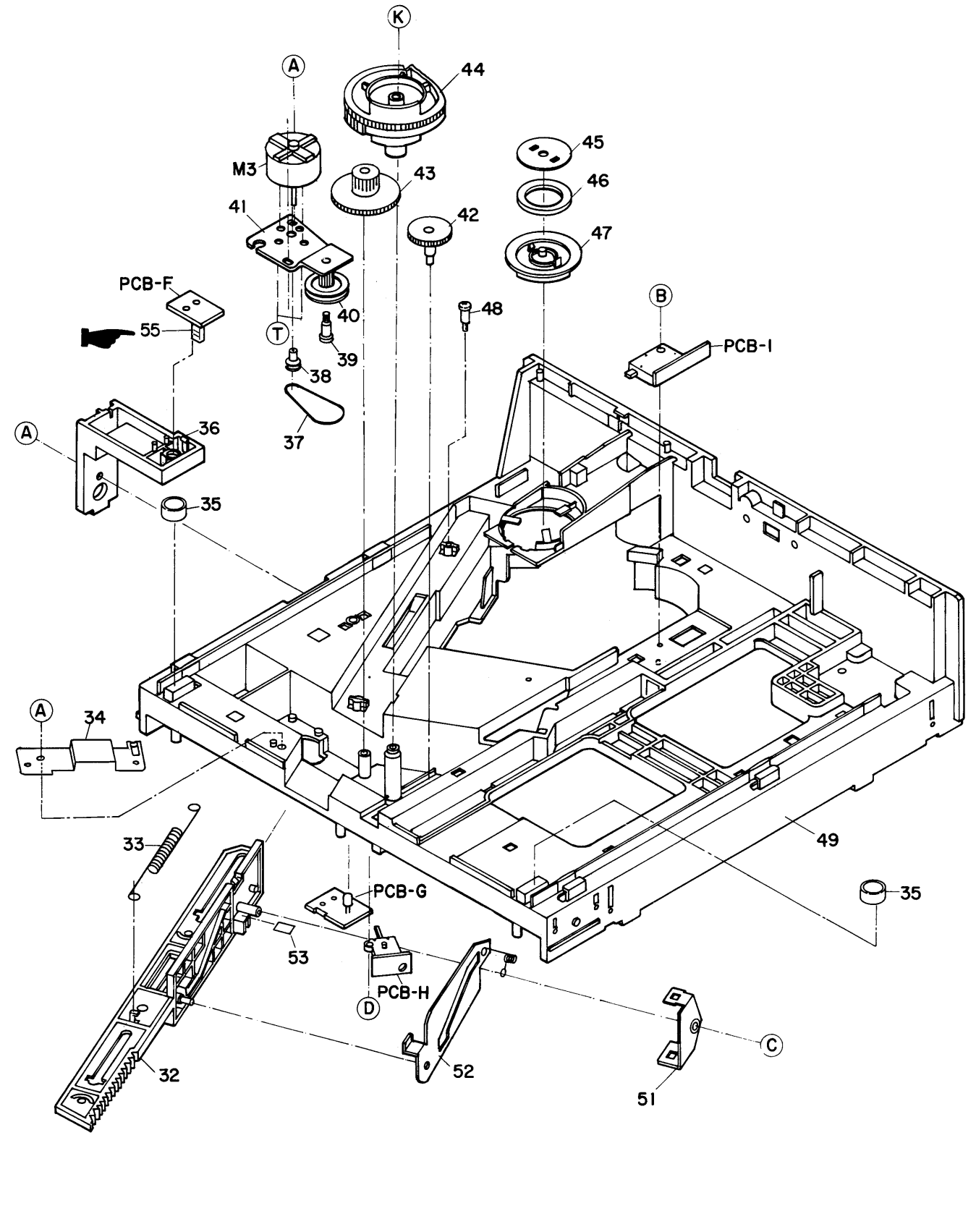
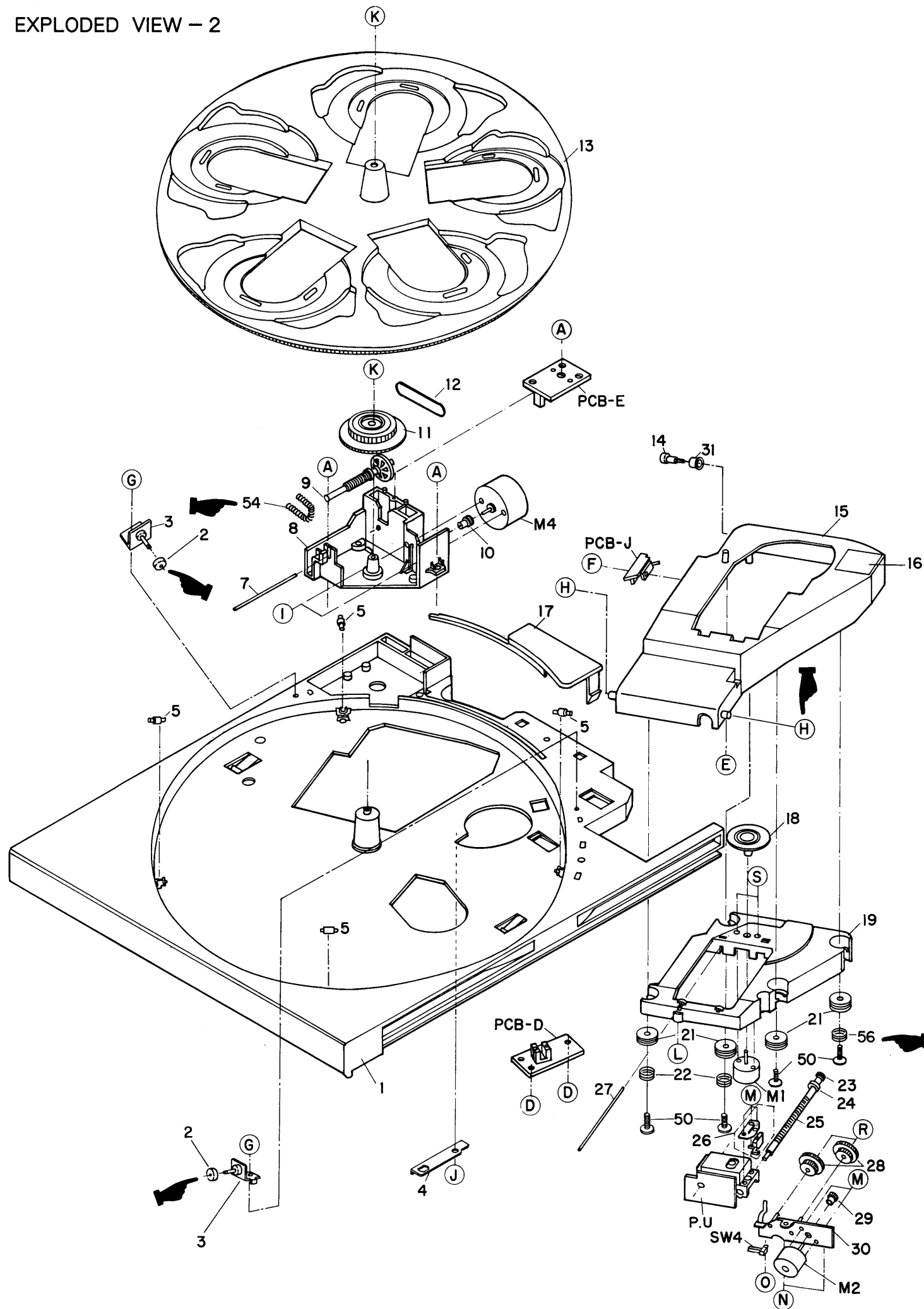
MECHANICAL ALTERATION PARTS LIST - 1

PART NO. CHANGED	REF. NO.	PART NO.	DESCRIPTION	COMMON MODEL	Q'TY
	1-13	★S0-RM4-008-370	LABEL, IEC		1

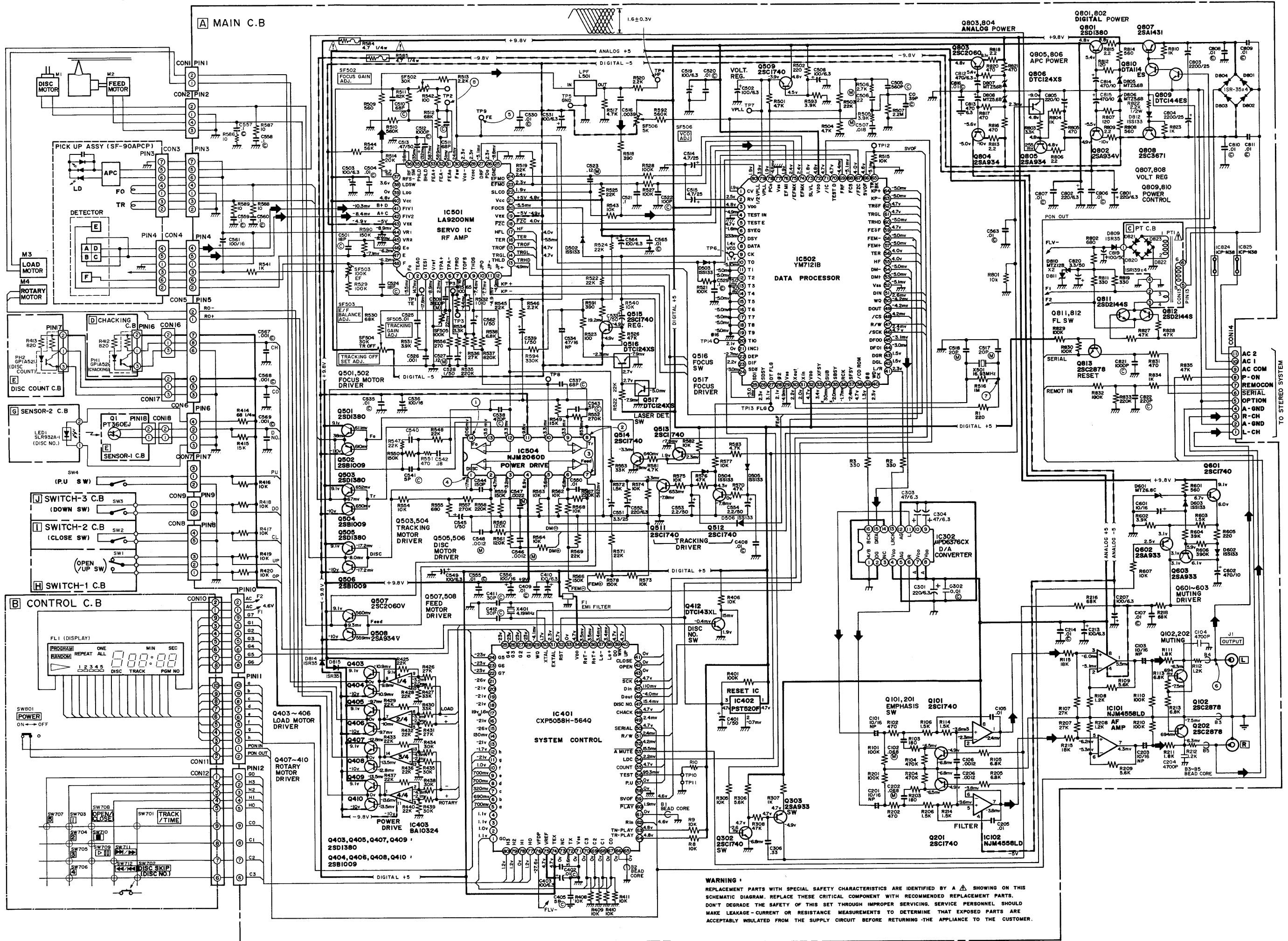
EXPLODED VIEW - 2

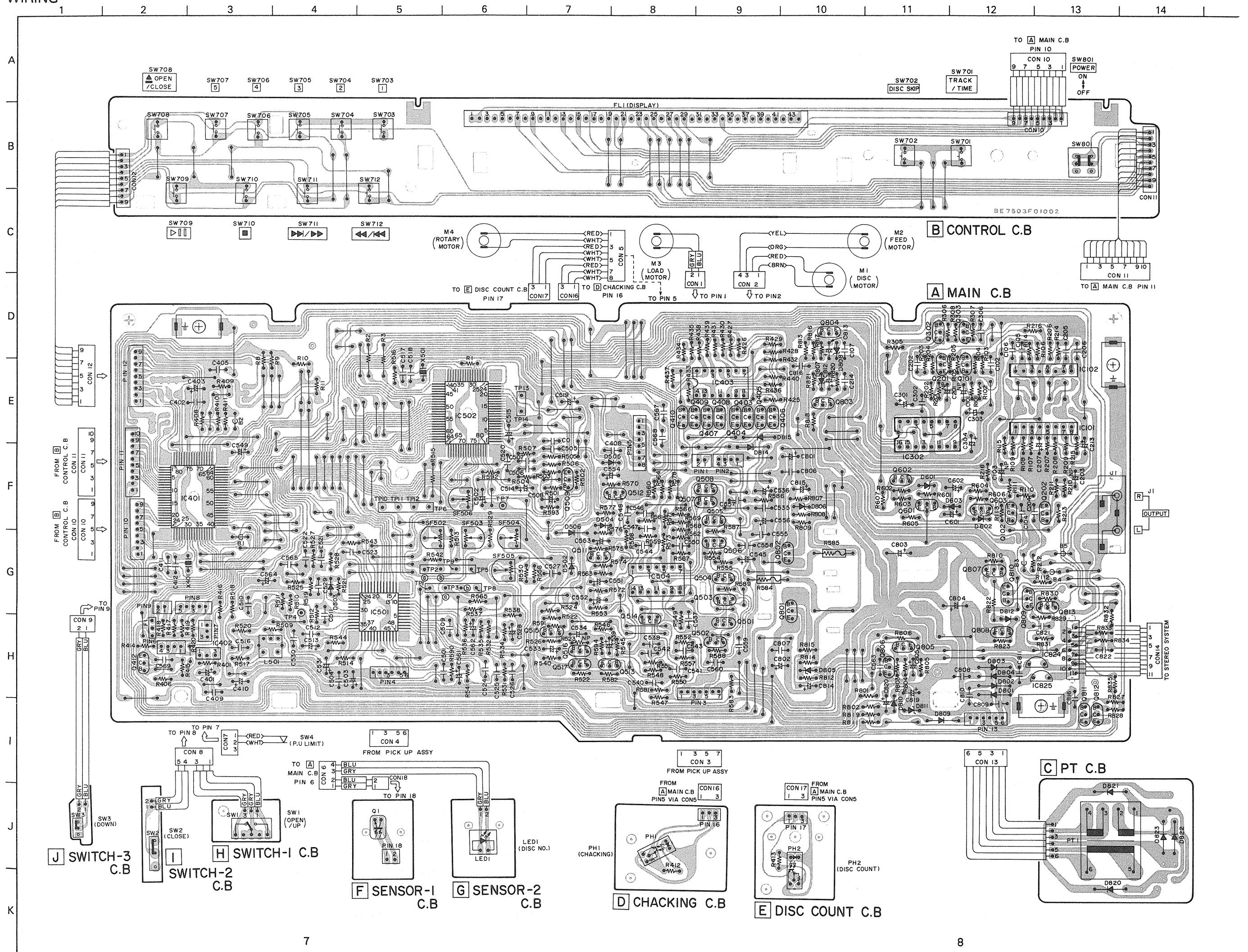
MECHANICAL ALTERATION PARTS LIST - 2

PART NO. CHANGED	REF. NO.	PART NO.	DESCRIPTION	COMMON MODEL	Q'TY
	2-2	★S0-RM4-007-670	ROLLER, PINCH		2
	2-22	★S0-RM4-005-770	COIL SPRING, DAMPER		2
	2-54	★S0-RM4-008-330	SPRING, PS		1
	2-55	★S0-RM4-007-610	SPACER, SENSOR		1
	2-56	★S0-RM4-009-040	SPRING, DAMPER A		1



SCHEMATIC DIAGRAM

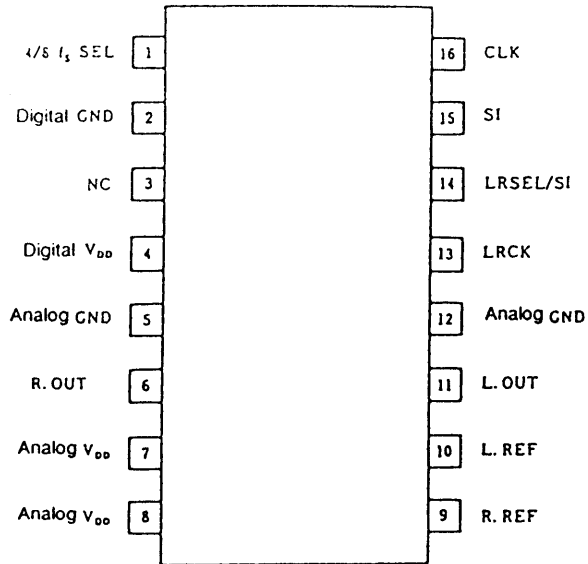




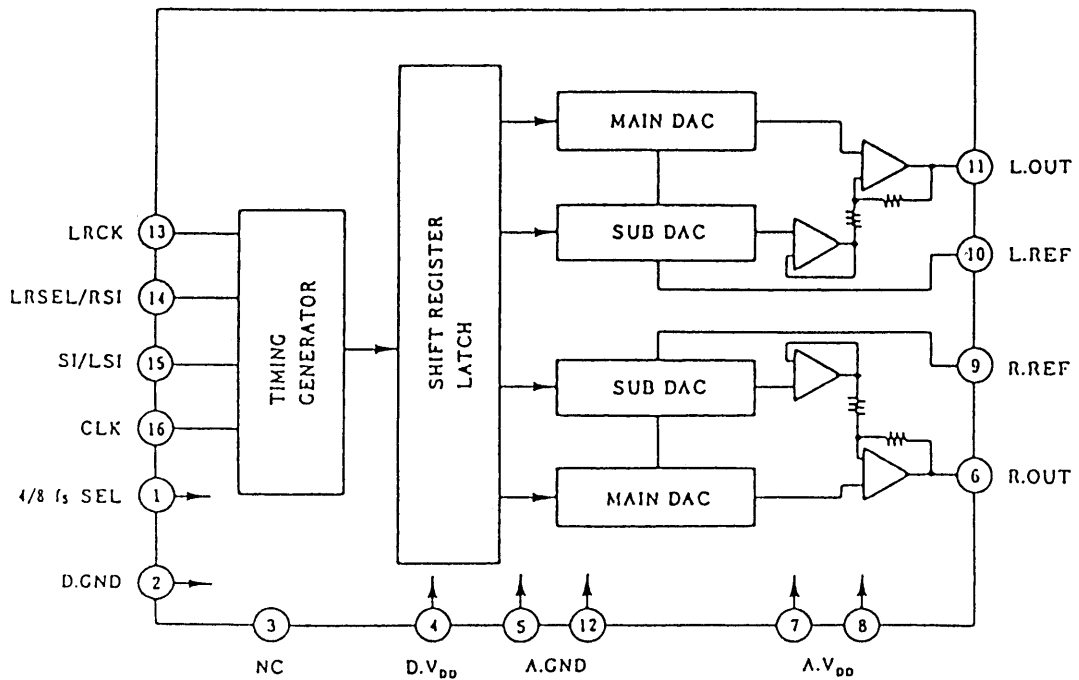
IC BLOCK DIAGRAM

IC302 (μ PD6376)

■ Pin Diagram



■ Block Diagram



サービス技術ニュース	
番号	連絡内容
G - -	
G - -	
G - -	

アイワ株式会社
AIWA CO., LTD.

727105

Tokyo Japan

〒110 東京都台東区池之端1-2-11

☎03 (3827) 3111 (代表)

Printed in Japan